

Part number

MGO 24.32 B



Brief description:

hoods, bayonet locking, size "104.27", side entry, M32, high protection IP68 version, IP68

Product description

Version	high protection IP68 version
Series	hoods, bayonet locking
Product type	with two bayonets
Variant	side entry
Family	IP68 enclosures
Size	size "104.27"

Technical data

Material	metal
IP degree of protection	IP68 (and IP69K DIN 40050 - 9)
Cable entry	M32

Further technical details

Weight	650,00 g
--------	----------

Approvals / Standards

Quality mark	UL (type:4/4X/12), CE, EAC
Conformity	CQC, CE

General ordering information

EAN13 code	8015747124287
Tariff number	85369095

Packaging Information

Packaging length	205,00 mm
Packaging height	135,00 mm
Packaging width	135,00 mm
Packaging weight	1,30 kg
Packaging volume	3,74 dm ³
Packaging description	Carton box
Packaging quantity	2 Pcs
Packaging EAN code	8015747124737
Sub-packaging weight	0,65 kg
Sub-packaging description	Plastic packaging
Sub-packaging quantity	1 Pcs
Sub-packaging EAN barcode	8015747124744

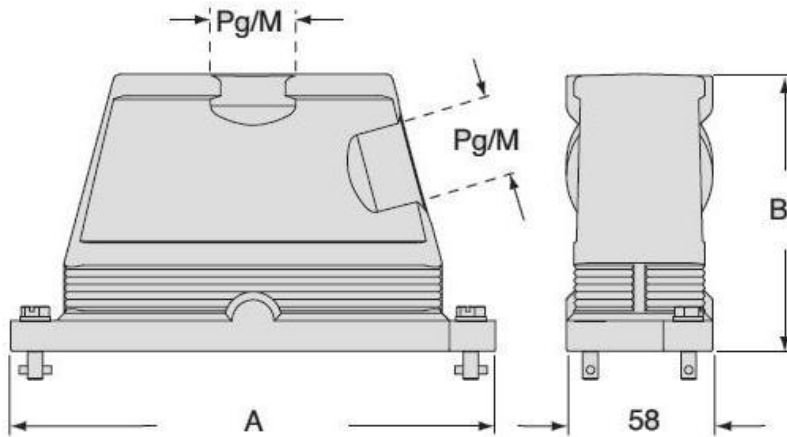
Part number

MGO 24.32 B



Catalogue drawings

CGO/MGO..B CGV/MGV..B



		A	B
CGO/MGO	CGV/MGV 06 B	133	101
CGO/MGO	CGV/MGV 10 B	146	101
CGO/MGO	CGV/MGV 16 B	166	111
CGO/MGO	CGV/MGV 24 B	193	111